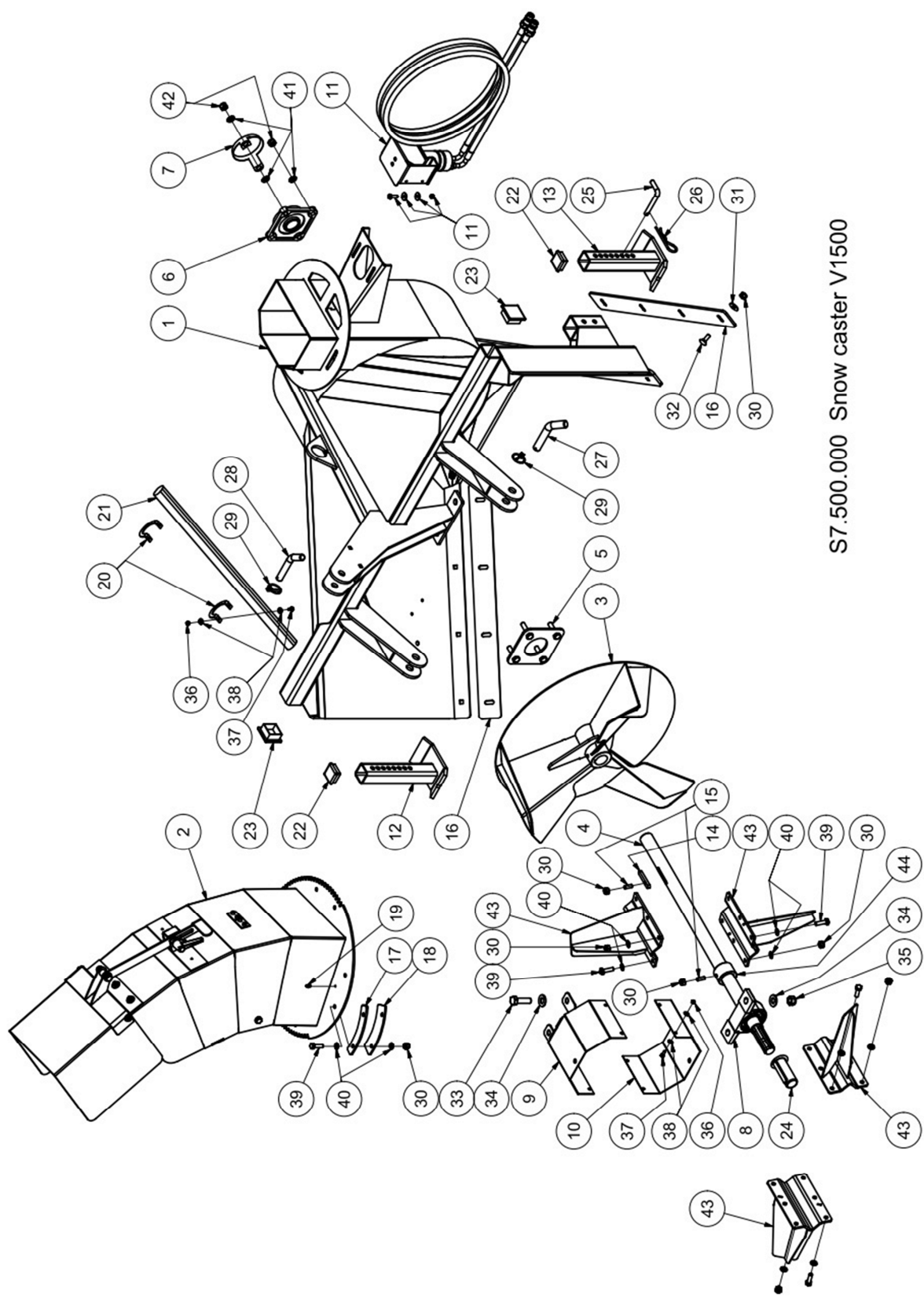


# *Spare parts list*

Typing.	Fabrikationsnr.:
Type no.:	Prod. no.:
Ballart nr.: _____	Prod. nr.: _____
Årgang:	Max. arb. tryk:
Year:	Max. pressure:
Jahr: _____	Max. Druck: _____
Egenvægt:	Spænding:
Own weight:	Voltage:
Eigengewicht: _____	Spannung: _____
Max. last:	
Max. load:	
Max. Last: _____	



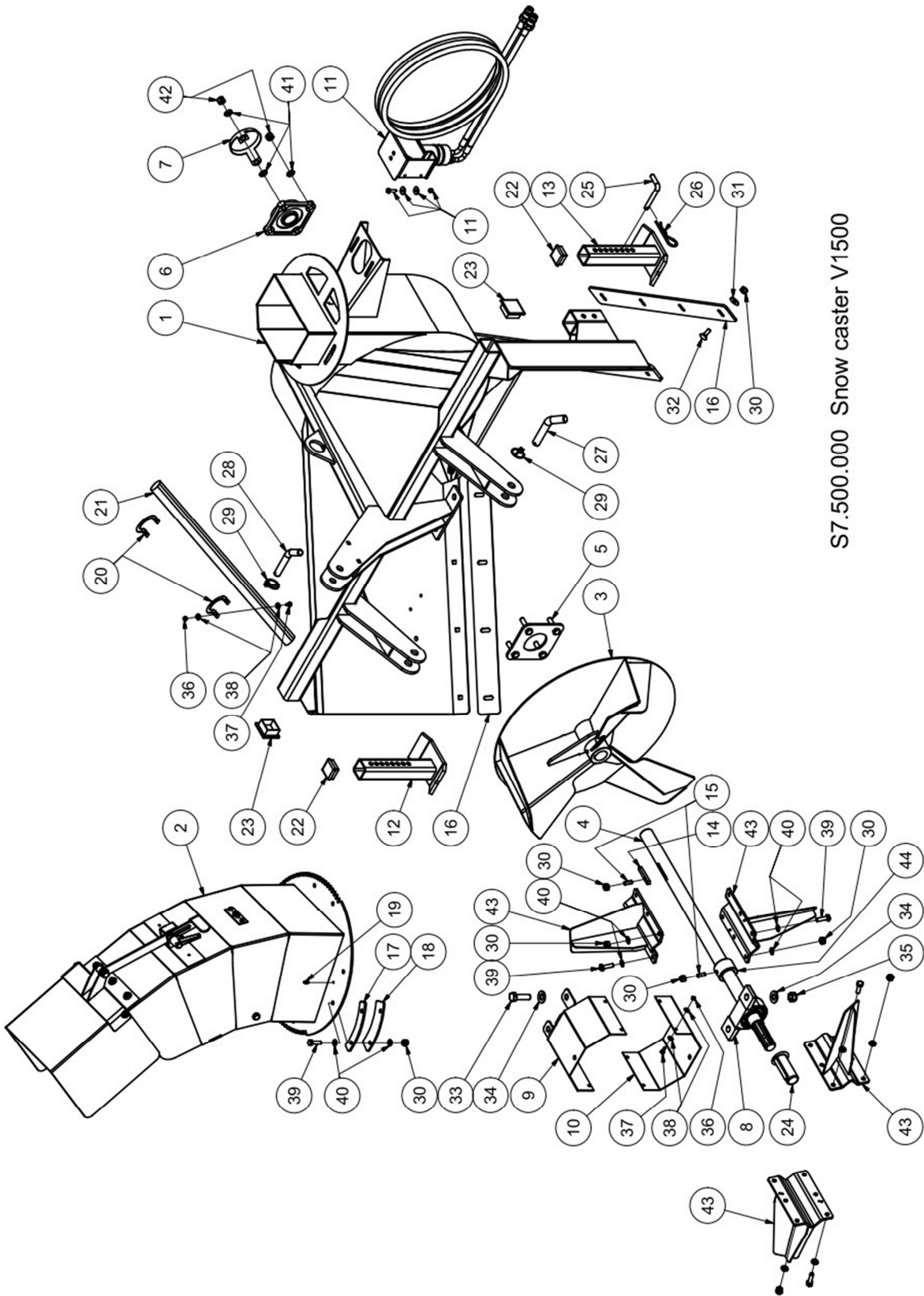
S7.500.000 Snow caster V1500

## S7500000 V-1500

BOM version: BOMS7500000R2

Pos.	Item number	Description
01	S7500042	Frame for V1500
02	S7500001*	Nozzle for V1500
03	S7500040	Impeller for V1500
04	S7500105	Shaft for V1500
05	S7500051	Shaft holder for V1500
06	25020400	Flanged bearing 208- $\phi$ 40
07	S7400040	Bearing cover 208
08	25010500	Pedestal bearing 208
09	S7500053	PTO cover for V1500
10	S7020000	PTO screen, painted
11	S6200000*	Hydraulic control for nozzle, set
12	S7500045	Left support leg for V1500
13	S7500046	Right support leg for V1500
14	S7500130	Drilled key 12x8x70 form A
15	22018041	10x25 45RAW DIN 916 / ISO 4029
16	S7500154	Short shear plate for V1500
17	S7500152	Spacer plate for nozzle turning
18	S7500153	Plate for nozzle rotation
19	21060000	Grease nipple M6X1
20	S4651053	Bended bracket for wooden rod, 2900
21	29011010	Wooden rod 30x40x670
22	8010008	Square plastic cap 50x50 SR1540
23	8010045	Plastic cap 60x60 for 5mm wall
24	8010102	Kapsto shaft cover $\phi$ 35
25	23006204	Spike $\phi$ 12 MK IV
26	23006026	$\phi$ 5x105 SS FZB spring cotter
27	V1016000	Spike for lift arm
28	V1015000	Spike for summit
29	23006000	$\phi$ 4,5x33x35 SS FZB spring cotter
30	22052004	M10 6 FZB DIN985
31	22058700	M10 140HV FZB DIN9021A/ ISO7093
32	22025302	M10x30 4.6 FZB DIN 603/555
33	22008707	M16x55 8.8 FZB DIN933/ ISO4017
34	22058701	5/8" 35x17x3 8.8 FZB DIN 1440 Flat Washer
35	22052007	M16 6 FZB DIN985
36	22052002	M6 6 FZB DIN985

\* separate drawing



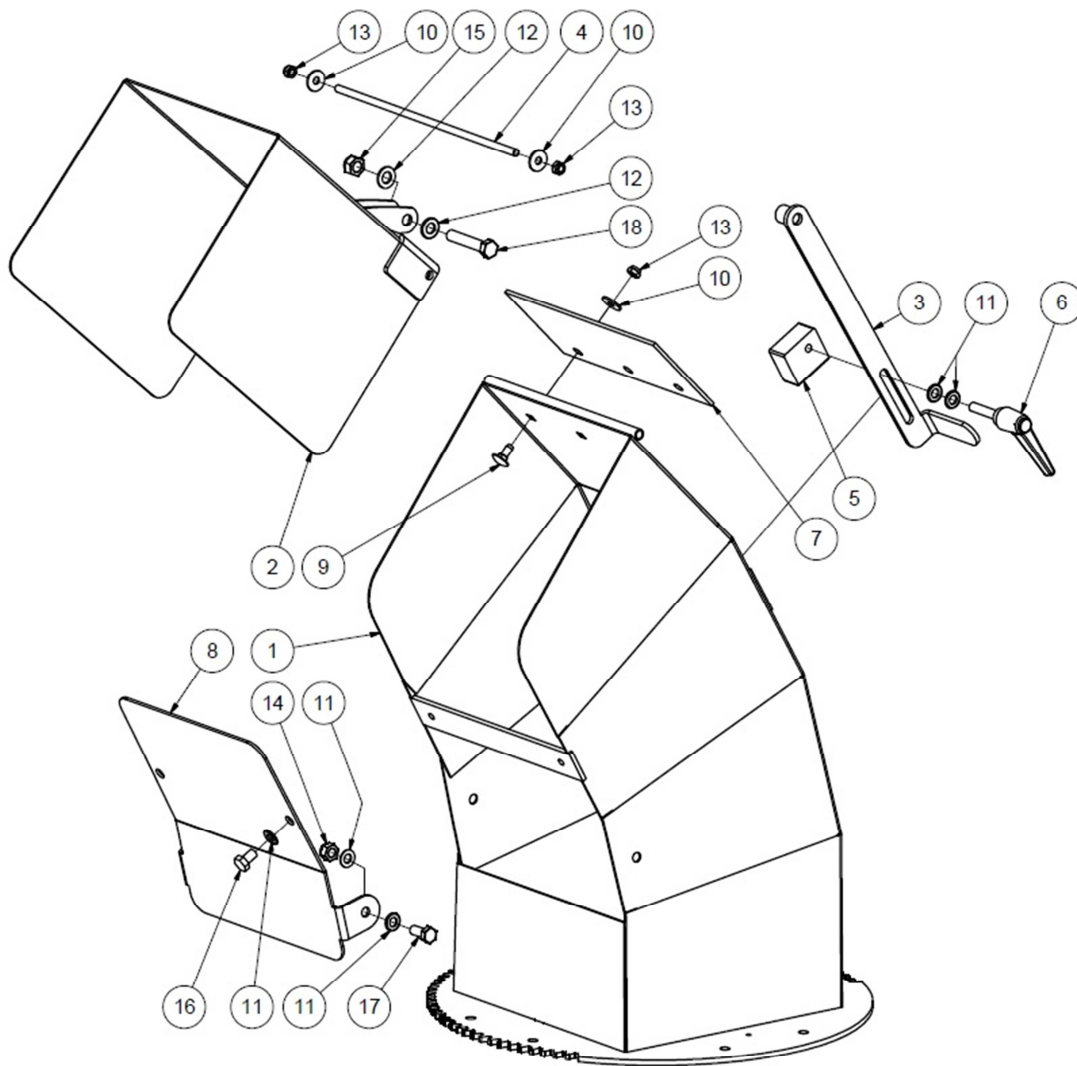
S7.500.000 Snow caster V1500

## **S7500000 V-1500**

BOM version: BOMS7500000R2

<b>37</b>	22008204	M6x16 8.8 FZB DIN933/ ISO4017
<b>38</b>	22058403	1/4" 16x6,5x1 8.8 FZB DIN1440
<b>39</b>	22008405	M10x35 8.8 FZB DIN933
<b>40</b>	22058410	M10 140HV FZB DIN 125 ISO7090
<b>41</b>	22058610	M12 140HV FZB DIN 125 ISO7090
<b>42</b>	22052005	M12 6 FZB DIN985
<b>43</b>	S7500043	Front impeller, welded
<b>44</b>	S7500176	Bush for front impeller

\* separate drawing

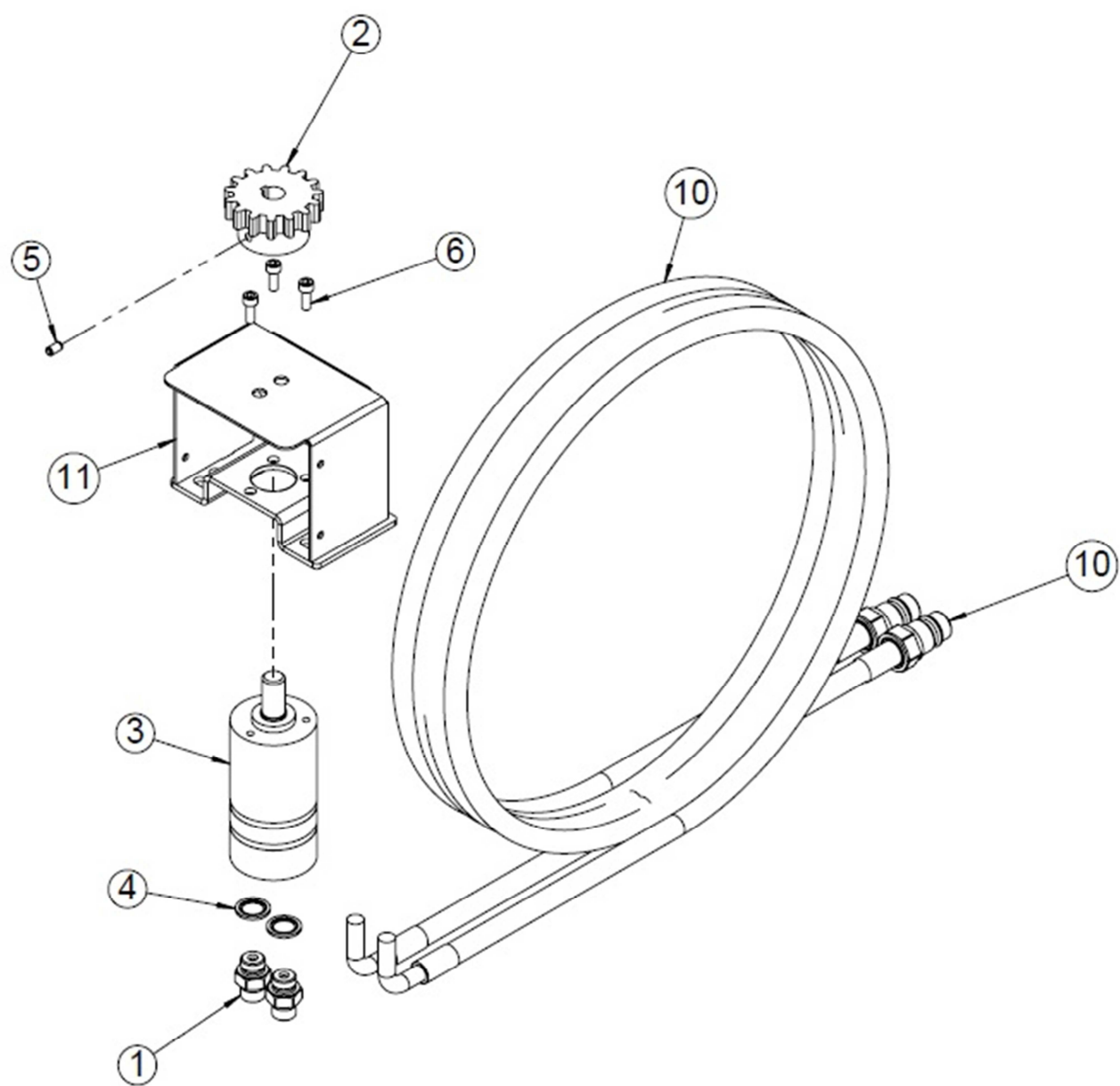


S7.500.001 Nozzle for V1500

## **S7500001 Nozzle for V1500**

BOM version: BOMS7500001

<b>Pos.</b>	<b>Item number</b>	<b>Description</b>
<b>01</b>	S7500044	Nozzle for V1500, welded
<b>02</b>	S7500052	Nozzle flap
<b>03</b>	S7500047	Arm flap welded
<b>04</b>	S7500157	Threaded rod for nozzle V1500
<b>05</b>	S4630215	Intermediate block for 3100, manual nozzle
<b>06</b>	17003004	Adjusting grib form T
<b>07</b>	8000158	Rubber pad for nozzle V1500
<b>08</b>	S7500159	Protection plate for nozzle V1500
<b>09</b>	22025208	M8x20 4.6 FZB DIN 603/555
<b>10</b>	22058600	M8 140HV FZB DIN9021A/ ISO7093
<b>11</b>	22058410	M10 140HV FZB DIN 125 ISO7090
<b>12</b>	22058610	M12 140HV FZB DIN 125 ISO7090
<b>13</b>	22052003	M8 6 FZB DIN985
<b>14</b>	22052004	M10 6 FZB DIN985
<b>15</b>	22052005	M12 6 FZB DIN985
<b>16</b>	22008401	M10x16 8.8 FZB DIN933
<b>17</b>	22008403	M10x25 8.8 FZB DIN933
<b>18</b>	22002303	M12x60 8.8 FZB DIN931





## S6200000 Hydraulic control for nozzle, set

BOM version: BOMS6200000

Pos.	Item number	Description
01	S6005103	Nipple for oilengine 3/8"x3/8"
02	S4456109	Gear-wheel for oil engine Z15, M16/Ø16
03	21070100	Oil engine OMM 32 C16 end port
04	21062101	Seal ring 3/8"
05	22018021	M6x10 45RAW DIN 916 / ISO 4029
06	22012205	M6x12 8.8 FZB DIN912/ ISO4762
07	22008304	M8x25 8.8 FZB DIN933/ ISO4017
08	22052003	M8 6 FZB DIN985
09	22058600	M8 140HV FZB DIN9021A/ ISO7093
10	21033431	Hydr. hose ø3/8"x3100 w/ coupling + seal ring
11	S4456043	Console for oil engine